




1008400090

IPDM-V2_P

IP Desk Master V2_P



- ✓ Compatible with ICX-AlphaCom, AlphaCom, IC-EDGE, and iPBXs (SIP)
- ✓ Large high-contrast display with backlight for excellent readability
- ✓ Four dynamic navigation keys for quick access to system menus and directory entries.
- ✓ Ten DAK keys provide single-touch access to stations, group calls, audio monitoring, public address zones, radio channels and telephone lines
- ✓ Remote software upgrade, configuration, and monitoring
- ✓ Powered from the IP network cable using Power over Ethernet (PoE)

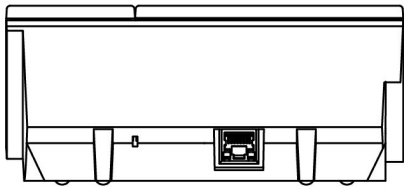
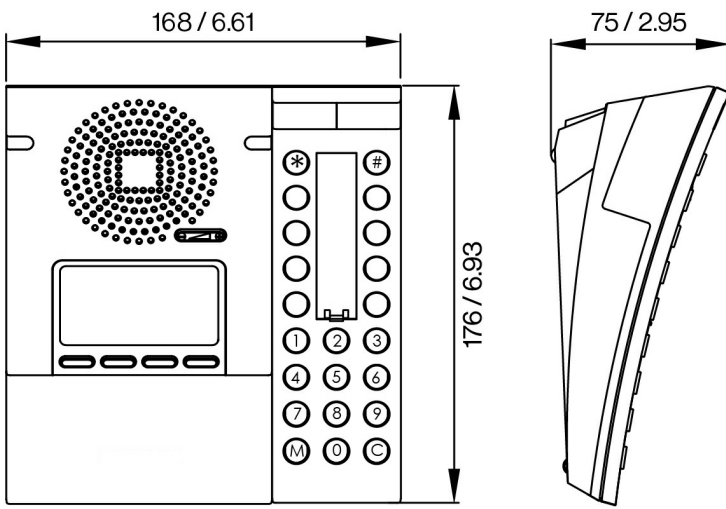
 HD Voice  Active Noise Cancelling  Open Duplex

Description

The IP Desk Master-V2_P is a general purpose desktop telephone that can be used for daily administrative communications as well as security communications in a control room setting. As with all Zenitel products, this IP Desk Master-V2_P features superb audio quality. This is enabled through a set of advanced technologies such as active noise filtering, acoustic echo cancellation, wide band audio codec, and high-power audio outputs.

See also: [additional documentation on wiki.zenitel.com](http://wiki.zenitel.com)

Technical Dimensions



All dimensions in mm / in

Specifications

GENERAL

Dimension (WxHxD)	168 x 75 x 176 mm
Weight	0.5 kg
Display	Backlit display, 35 x 68 mm (64 x 128 pixels)
Temperature range	0°C - 55°C
Relative humidity	< 95% not condensing
Power consumption	Power over Ethernet, IEEE 802.3 a-f, Class 0
Connectors	RJ45 (Ethernet) 10/100 Mbps
SIP	RFC 3261, SIP Info (DTMF), RFC 2833 (DTMF)
IP protocols	IP v4 - TCP - UDP - HTTPS – TFTP - RTP - RTCP -DHCP - SNMP - DiffServ - TOS – ONVIF - CoIP® - SIP
LAN protocols	Power over Ethernet (IEEE 802.3 a-f), Network Access Control (IEEE 802.1x)
Audio technology	Wideband 200 Hz - 7 kHz (G.722), Telephony 3.4kHz (G.711), Active noise filtering, Acoustic echo cancellation, Open duplex, Adaptive jitter filter, Handset and volume override
Audio output	1.5 Watt, 85 dB audio pressure 1m from speaker
Management and operation	HTTPS (Web configuration), DHCP and static IP, Remote automatic software upgrade, Centralized monitoring, Status LED

Accessories



Wall Bracket for Desktop

deining
elektronik gmbh & co. kg

Rudolf-Diesel-Str. 4 • 76356 Weingarten
Tel. +49 (7244) 7016-0 • Fax +49 (7244) 7016-33
info@deining-gmbh.de • www.deining-gmbh.de